



**JOHN DEERE MOWER DECK CART ASSEMBLY (HHJDMD)**

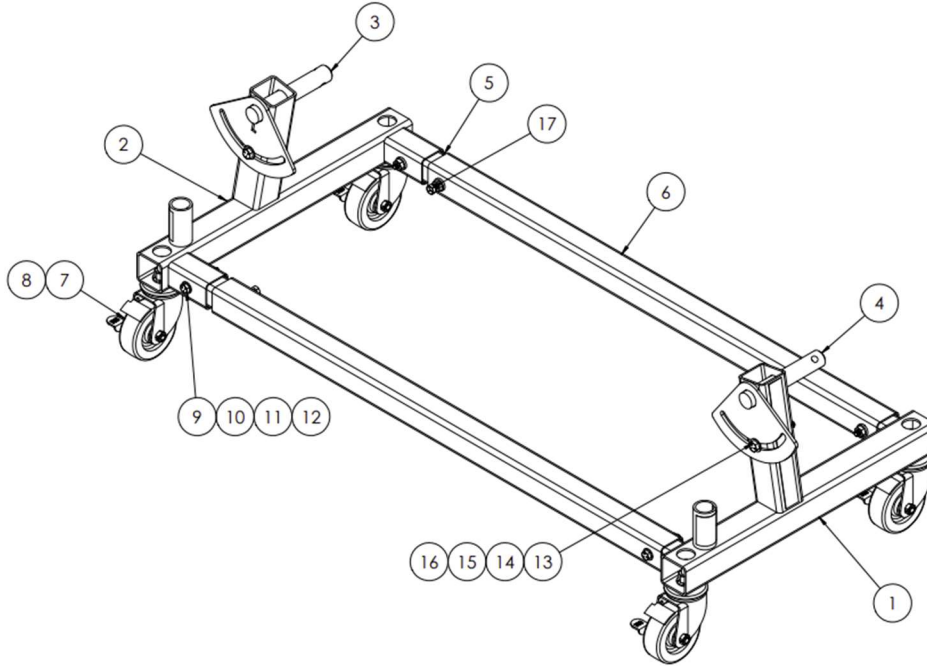


IMAGE 1

**JOHN DEER MOWER DECK CART PARTS LIST**

ITEM NO.	PART NUMBER	DESCRIPTION	QTY.
1	301223	HHJDMD RIGHT WELDMENT	1
2	301224	HHJDMD LEFT WELDMENT	1
4	301225-R	HHJDMD SWIVEL PIN RIGHT	1
3	301225-L	HHJDMD SWIVEL PIN LEFT	1
6	200353	HHJDMD EXTENSION LARGE TUBE	2
5	200352	HHJDMD EXTENSION SMALL TUBE	2
7	400028	3.5" X 1.25 Swivel Caster	4
8	400027	1/2-13NC HEX FLANGE NUT	4
9	400138	Ø5/16-18UNC x 2.5 HEX HD BOLT	4
10	400142	Ø5/16 WASHER	4
11	400071	5/16-18UNC HEX FLANGE NUT	6
12	400137	Ø5/16 Lock Washer	4
13	400139	3/8-16UNC X 3.00 HEX HD BOLT	2
14	400056	3/8 X .03 WASHER	2
15	400141	Ø3/8 LOCK WASHER	2
16	400052	3/8-16UNC HEX NUT	2
17	400140	5/16-18UNC X .75 BOLT	2

Contact Service Department at Heavy Hitch for additional information

1-888-337-8999  
info@heavyhitch.com



**Instructions:**

- Step 1) Install 2 casters (item #7) into both the right weldment (item #1) and left weldment (item #2) and secure using the ½" flange nut (item #8) – DO NOT OVERTIGHTEN
- Step 2) Install the swivel pin right (item #3 – no marking on plate) into the right weldment (item #1) and loosely install hardware (items #13, 14, 15, and 16) – DO NOT TIGHTEN AT THIS TIME
- Step 3) Install the swivel pin left (item #4 – L marked on plate) into the left weldment (item #2) and loosely install hardware (items #13, 14, 15, and 16) – DO NOT TIGHTEN AT THIS TIME
- Step 4) Install the two extension large tubes (item #5) onto the right weldment (item #1) and secure with hardware (items 9, 10, 11, 12) – DO NOT OVERTIGHTEN
- Step 5) Install the two extension small tubes (item # 6) onto the left weldment (item #2) and secure with hardware (items 9, 10, 11, 12) – DO NOT OVERTIGHTEN
- Step 6) Slide the large extension tubes of the now right side assembly (steps 1, 2, 4) over the small extension tubes of the now left assembly (steps 1, 3, 5). Adjust to the length of your mower deck and tighten the 5/16" bolt (item #17)
- Step 7) Once your mower deck is in place adjust the swivel pins and line up the holes with the mower deck. Tighten hardware (items #13, 14, 15, and 16)

VISIT [WWW.HEAVYHITCH.COM](http://WWW.HEAVYHITCH.COM) FOR VIDEOS AND PICTURES

SHOWING THE CART WITH A JD MOWER DECK